

POP Slurry Mixer

The Landia POP 300/400 is a flexible and efficient mixer that is typically used for mixing slurry in reception tanks, storage tanks, lagoons, etc.

APPLICATION EXAMPLES

POP 300/400:

- Reception tanks
- Storage tanks
- Slurry lagoons

PROPELLER RPM

300 rpm – gear 1:4.5 or 1:5

400 rpm – gear 1:3.55



MATERIAL OF CONSTRUCTION POP 300/400 RPM

Motor housing and oil chamber	Cast iron EN-GJL-250
Propeller	Steel W1.0038/S235JR Domex 700 (optional) Stainless steel W1.4301/AISI304 (optional)
Gear	Cast iron EN-GJL-250
Output shaft gear	Shaft steel W1.6511/9840 (no contact with the liquid)
Bolts	A4
Exterior sealing system	3 oil sealing rings made of nitrile Wear bush made of stainless steel W1.4301/AISI304 (ceramic coating optional)
Interior sealing system	Mechanical shaft seal: silicon carbide/silicon carbide
Oil type	Liquid temperature 0–30 °C SP 100
Grease type	High temperature grease

SERVICE AND MAINTENANCE

Recommended service interval/oil change	Max. 2,000 operating hours/minimum once a year
Motor	Lifetime lubricated bearings
Gear	Periodic oil change Calculated service life >100,000 operating hours
Propeller	Periodic grease lubrication

SURFACE TREATMENT

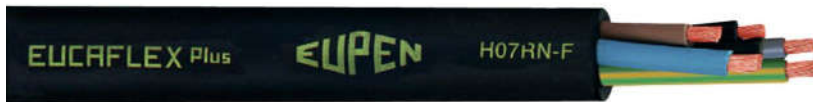
Machinery enamel: RAL 9005 (Jet Black)

Jet Black

ELECTRICAL CABLE

H07RN-F/S07RN-F EUCAFLEX^{Plus} Cable.

Resistant to oil and UV radiation.



Number of conductors:

H07RN-F 7G1.5 mm² (Not used in United Kingdom)

H07RN-F 7G2.5 mm² (Only United Kingdom. Motor ≤ 5,5 kW)

S07RN-F 7G4+3x1.5 mm²

S07RN-F 7G6+3x1.5 mm²

As standard supplied with 7 m of cable (extra length available upon request).

MONITORING FUNCTIONS

Bimetallic thermal sensors 120 °C

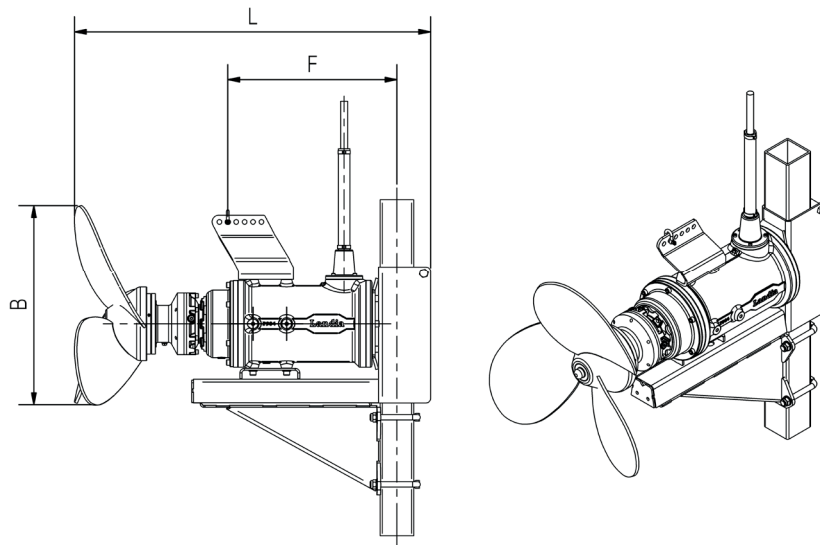
ELECTRICAL DATA

Motor type	3-phase AC motor
Nominal voltage	400 V
Minimum voltage allowed	360 V
Nominal frequency	50 Hz
Applicable for VFD operation	Yes
Ingress protection rating	IP 68
Insulation class	F

Model	Nominal power	Motor	Full load current (400 V)	Connection method	Start current (DOL)	cos phi	Efficiency
	[kW]	[rpm]	[A]	Y/Δ	[A]		[%]
POP 4.0 kW-300 rpm	4.0	1,435	8.8	Δ	61	0.78	84.1
POP 5.5 kW-300 rpm	5.5	1,440	11.0	Δ	68	0.87	84.6
POP 11.0 kW-300 rpm	11.0	1,455	21.5	Δ	146	0.84	87.9
POP 18.5 kW-300 rpm	18.5	1,460	35.0	Δ	238	0.85	89.3

For voltages others than 400 V/50 Hz please refer to the attached Appendix.

OVERALL DIMENSIONS



Model	Propeller diameter [mm]	B [mm]	F [mm]	L [mm]	Guide pipe [mm]	Weight [kg]
POP 4.0 kW-300 rpm	ø575	470	380	885	80 × 80	99
POP 5.5 kW-300 rpm	ø620	510	425	952	80 × 80	112
POP 11.0 kW-300 rpm	ø770	650	475	1,095	100 × 100	194
POP 18.5 kW-300 rpm	ø880	730	485	1,170	100 × 100	242

We reserve the right to make technical changes.