

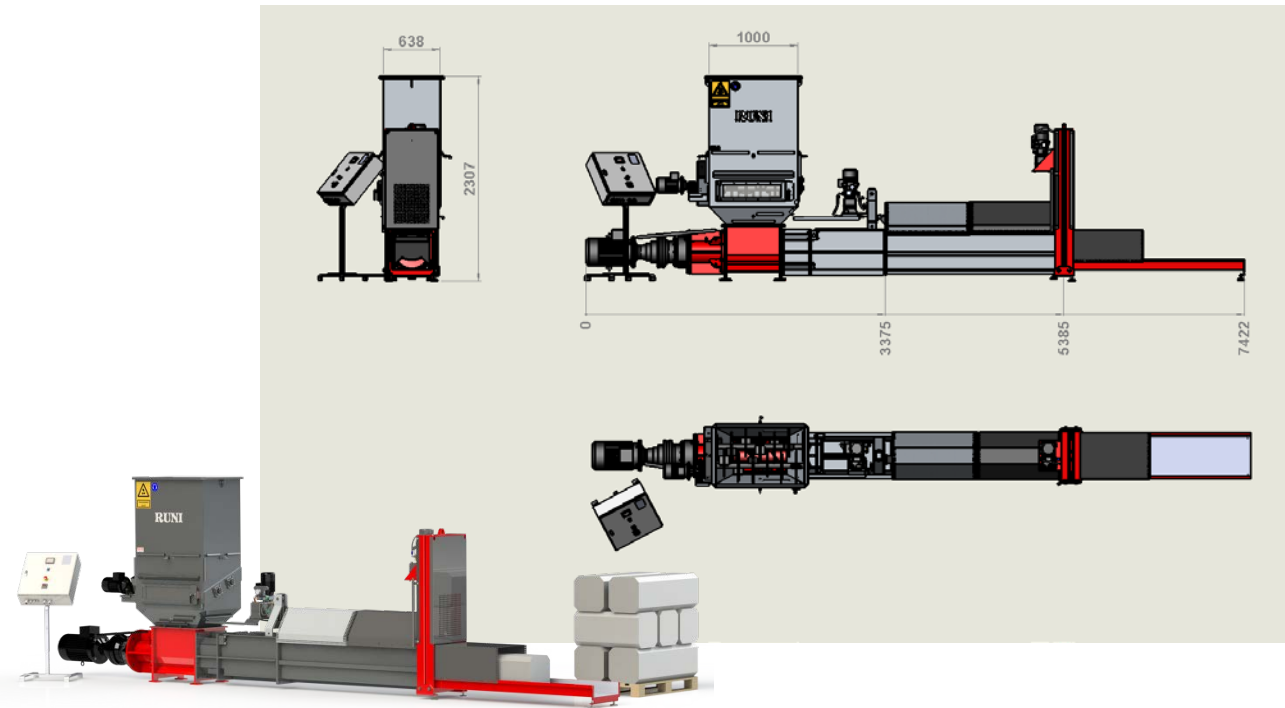


Compacting fish boxes (EPS) >>>

Technical data specification for SK370

Dimensional drawing

Subject to technical modifications.



Technical data	Europe	USA
Material	Fish boxes, EPS (airpop) (Styrofoam)	Fish boxes, EPS (airpop) (Styrofoam)
Achieved density *)	350 kg/m ³	21 lbs/ft ³
Capacity per hour *)	200 kg	440 lbs
Daily capacity	4000 kg	4 ton
Block measurement	380 x 380 mm	14,5 x 14,5 inch
Feed-opening dimension, inlet (standard)	1000 x 508 mm	40 x 20 inch
Nosie level (distance 1 m)	With material: 90-113 dB	With material: 90-113 dB
Weight	1500 kg	3300 lbs
Machine dimension (LxWxH) (standard)	7433 x 1353 x 2219 mm	293 x 53 x 87 inch
Motor power	Main motor: 15 kW Hydraulic pump: 0,55 kW Pre-crusher: 1,1 kW	Main motor: 24 hp (18 kW) Hydraulic pump: 0,88 hp (0,66 kW) Pre-crusher: 1,8 hp (1,3 kW)
Power supply	3 x 400V, 50Hz, 63A	3 x 480V, 60Hz, 63A
Marking	CE-approved	CE-approved, UL(only components)

*) Depending on the type and EPS density.



Compacting fish boxes (EPS)

Description

RUNI SK370 screw compactor is the largest machine for compacting fish boxes and is recommended for an annual volume of more than 50 tonnes. The screw compactor can compact the fish boxes at a ratio of up to 50:1. Before compacting it took 50 trucks to take the fish boxes to landfill – now only one truck can do it. The density of the compacted blocks is approx. 350 kg/m³. The compacted blocks can be stacked on a pallet and sold for recycling. A truck or container can load approx. 20 tonnes. TURN WASTE TO VALUE!



50  1
 Compaction ratio



Function

The fish boxes are pre-crushed in the hopper and the screw and the automatic hydraulic jaws compact the fish boxes to solid and uniform blocks. The machine can be fed manually into a 45° hopper or by conveyor belt into a vertical hopper. The different incorporated sensors ensure easy operation with the automatic start and stop function and adjustable speed. Twin models with two or three screw compactors ensure high efficiency. It is also possible to place the compactor below a silo and buy automatic block divider and crane for handling the compacted blocks.



Benefits

- Generate income from compacted fish boxes.
- Reduce cost for warehouse, transport and disposal.
- Reduce manual labour.
- Safe and easy operation with automatic start and stop.
- Improved for the fishing industry with exposed parts in stainless steel.

Option

- Pre-crusher available in stainless steel and in different configurations and motor sizes.
- Twin models with multiple screw compactors.
- Silo solution.
- Automatic block divider and crane for handling the compacted blocks.
- Remote control.