

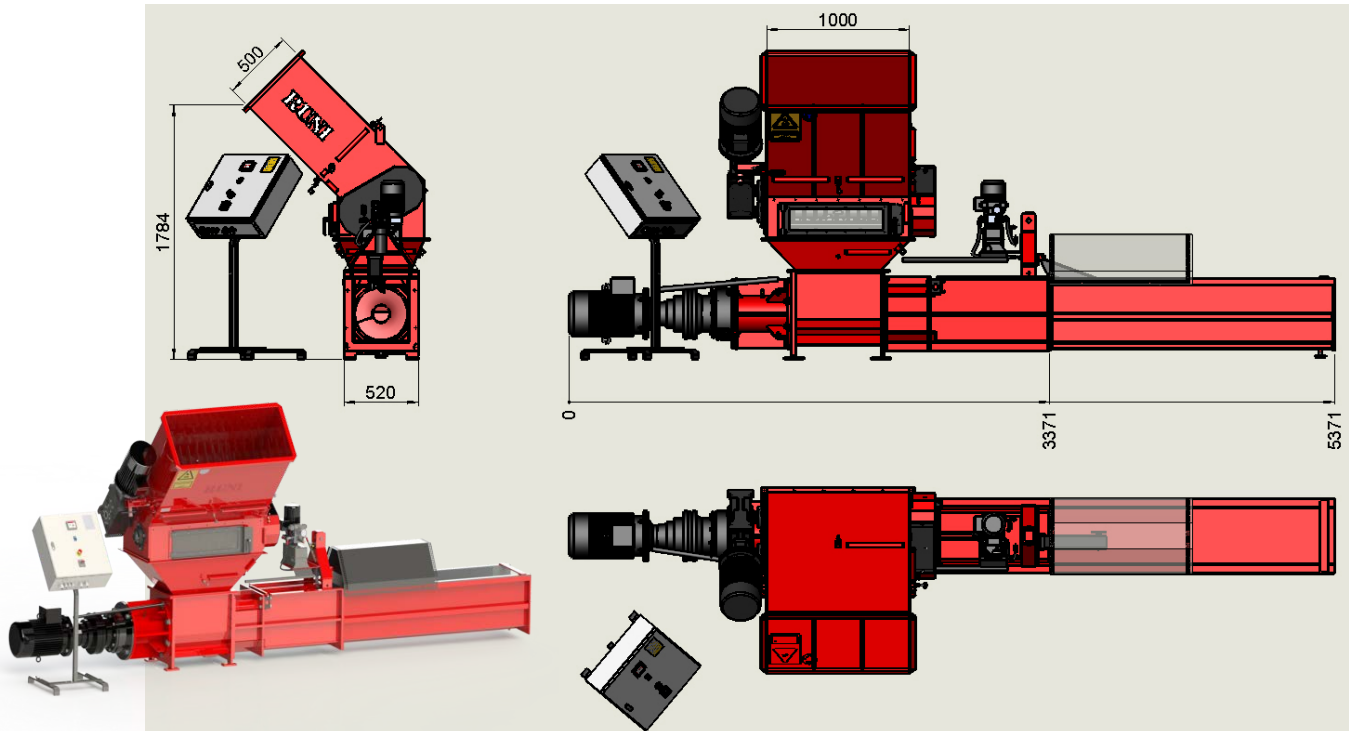


Compacting EPP

Technical data specification for SK370

Dimensional drawing

Subject to technical modifications.



Technical data	Europe	USA
Material	EPP	EPP
Achieved density *)	350 kg/m ³	21 lbs/ft ³
Capacity per hour *)	200 kg	440 lbs
Daily capacity *)	3000 kg	3 ton
Block measurement	380 x 380 mm	14,5 x 14,5 inch
Feed-opening dimension, inlet (standard)	1000 x 500 mm	40 x 20 inch
Weight	1500 kg	3300 lbs
Machine dimension (LxWxH) (standard)	5371x1330x2150 mm	211 x 52 x 85 inch
Motor power	Main motor: 15 kW Hydraulic pump: 0,55 kW Pre-crusher HD: 4 kW	Main motor: 24 hp (18 kW) Hydraulic pump: 0,88 hp (0,66 kW) Pre-crusher HD: 9 hp (4,8 kW)
Power supply	3 x 400V, 50Hz, 63A	3 x 480V, 60Hz, 63 A
Marking	CE-approved	CE-approved, UL(only components)

*) Depending on the density of the material.



Compacting EPP



Description

EPP has a very tough structure and therefore it is necessary with a Heavy Duty pre-crusher on the compactor to pre-crush the EPP before it can be compacted into a cohesive block. The Density of the compacted EPP is up to approx. 350 kg/m³. The compacted blocks can be stacked on a pallet. Approx. 20 tonnes can be loaded on a truck or container.

TURN WASTE TO VALUE!

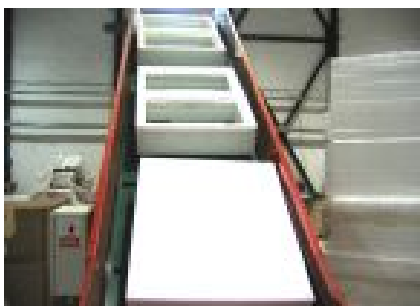


50  1
 Compaction ratio



Function

The EPP is fed into the HEAVY DUTY pre-crusher and will be pre-crushed. The screw and the automatic hydraulic jaws compact the material into a solid uniform block that can be stacked on a pallet. The machine can be fed manually into a 45° hopper or with conveyor belt into a vertical hopper. The different incorporated sensors ensures easy operation with automatic start and stop function. It is also possible to buy block divider and crane for handling the compacted blocks. RUNI has also developed a solution for compacting EPP and EPS in the same machine if you have both materials in your waste stream.



Benefits

- Sale of the compacted EPE.
- Reduce cost for warehouse, transport and disposal.
- Reduce manual labour.
- Safe and easy operation with automatic start and stop.

Option

- Pre-crusher.
- Automatic block divider.
- Crane.